

TECHNICAL SPECIFICATION

LED High bay fixtures – SENA100 SMD



Technical data

- Power: 100W
- Nominal voltage: 230V
- Power supply: low-voltage, direct-current device – Waterproof driver
- LED type: SMD
- Light source: EPISTAR 5730
- Luminous flux: 8000lm
- Color temperature: 5000-5500K
- Protection against dust and moisture : IP64
- Housing: aluminum
- Colour of the housing: grey
- Reflector: aluminum diameter 370mm
- Beam angle- 120°
- Long life: 30000 hours
- Colour rendering index: Ra≥80

- Ambient temperature: -40°C ÷ +50°C

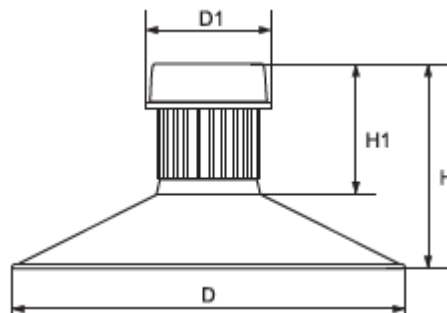
Areas of application

- Commercial
- Sports buildings
- Warehouses
- Production halls

Product benefits

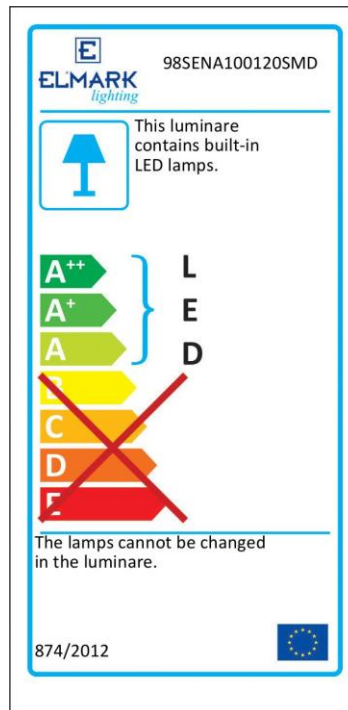
- Efficient replacement of metal halide high bay fixtures
- Safety - low voltage operation
- Homogenous and flicker-free light distribution
- Low power consumption
- Repeated switch on/off does not affect the lifespan of the fixture
- Instant light at maximum luminous flux
- Environmentally friendly - no mercury and lead
- No ultraviolet and infrared rays
- Resistant to shock and vibration stable body

Variants and dimensions



Model	Watt	LED chip lumens (lm)	Whole fixture lumens (lm)	Colour temp. (k)	Colour body	Size				Catalogue number	Packing (pcs)
						D	D1	H	H1		
SENA100 SMD	100W	12000	8000	5000-5500	grey	370	220	220	260	98SENA100120SMD	1

Energy efficiency



Barcodes

Barcode	Catalogue number
3800131191922	98SENA100120SMD

Standards

EN 55015

EN 61000-3-2; EN 61000-3-3

EN 61547

EN 61000-4-2; EN 61000-4-4; EN 61000-4-5; EN 61000-4-8; EN 61000-4-11

